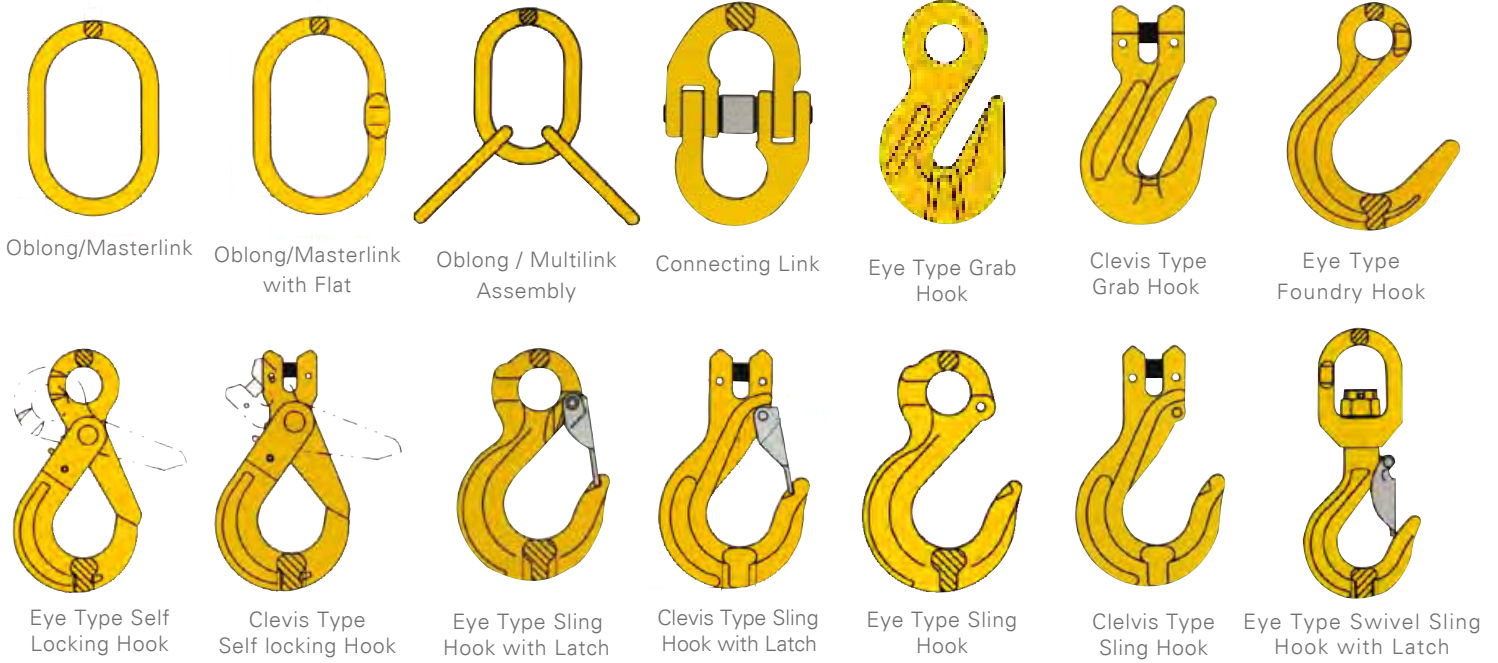


LIFTING COMPONENTS & FITTINGS

Available in a variety of brands, all our suppliers produce high quality grade 80 & grade 100 components and are committed to excellent design, thorough quality control and continuous improvement to existing products and to introducing new products.



STR HANDLES



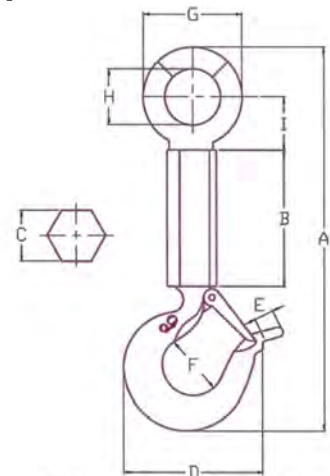
Material	Hook Model						
	Gunnebo BK16	Gunnebo BK18/20	Gunnebo BK22	Gunnebo BK26	Gunnebo BK32	Yoke 16mm	Yoke 18/20mm
RH&LH handles	Cast 316 Stainless Steel						
Trigger	316 Stainless Steel						
Trigger Pin	316 Stainless Steel						
Screws	316 Stainless Steel						
Weight:	1.85kg	2.5kg	2.55kg	3.40kg	3.95kg	1.90kg	2.4kg
Dimensions: (overall)	180mm x 145mm x 80mm	191mm x 155mm x 90mm	205mm x 160mm x 90mm	224mm x 180mm x 103mm	260mm x 172mm x 103mm	185mm x 160mm x 80mm	193mm x 163mm x 85mm

To suit Gunnebo & Yoke Type Hooks

LONG SHANK ROV HOOK



- Proofloaded to 2x WLL
- Painted Yellow for High Visibility
- Each hook supplied with NATA Proofload certification
- Safety Factor is 4:1
- Easy Grab Arrangement



	A	B	C	D	E	F	G	H	I	WEIGHT
5.4T	497	249	65	128	25	50	97	51		9.6KG
12T	610	249	65	192	35	77	141	75		17.3KG
22T	720	250	85	265	50	106	173	91		29.8KG
31.5T	820	250	85	350	—	125	206	110		44KG



Franklin Offshore Australia Pty Ltd

Tel +61 8 9410 6000 • sales@franklinoffshore.com.au