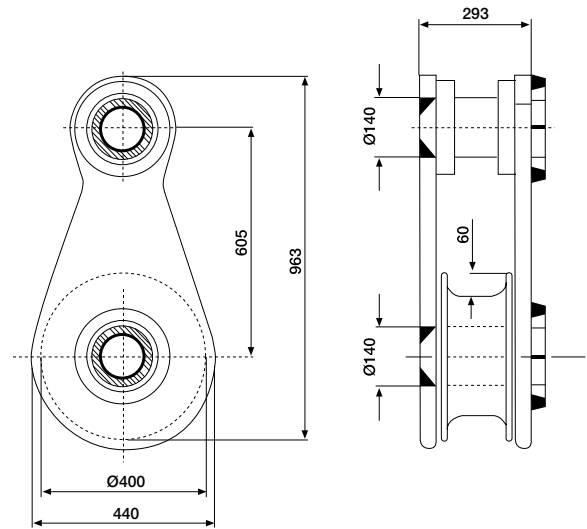


ANCHOR CHAIN FITTINGS



Hawser Thimbles



Mandal Fairlead Shackle



Model	Forerunner Circ (inches)	Breaking Load (m/t)	Proof Load (m/t)	Safe Work Load (m/t)	Weight (kg)
90M	6"-9"	90	55	30	7.8
120M	9"-11"	120	70	40	13.3



- This stainless steel mooring shackle with sleek shape designed to pass through fairleads. They are available in three sizes 90T, 120T and 180T. 300T can be supplied on special request.

Tonsberg Mooring Links



Model	Forerunner Circ (inches)	Breaking Load (m/t)	Proof Load (m/t)	Safe Work Load (m/t)	Weight (kg)
90T	7"-9"	90	55	30	11.2
120T	9"-11"	120	70	40	16.9
180T	11"-15"	180	95	60	25



- This galvanised steel mooring link of compact design is typically utilised as a connection between wire rope and fibre forerunner. They are available in three sizes 90T, 120T and 180T. 300T can be supplied on special request.



Franklin Offshore Australia Pty Ltd

Tel +61 8 9410 6000 • sales@franklinoffshore.com.au