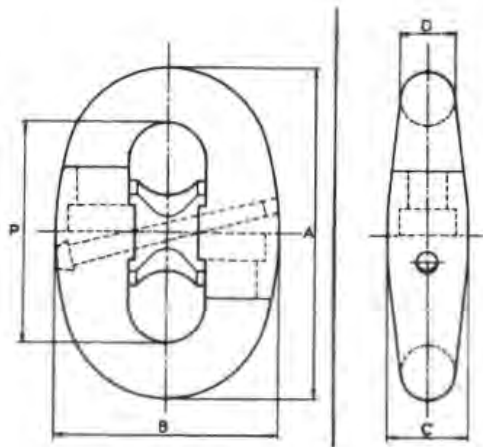


ANCHOR CHAIN FITTINGS

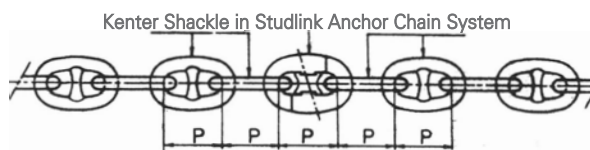
Kenter shackles

Dia (mm)	Dimensions (mm)					Weight (Kg)
	A	B	C	D	P	
16	96	67.2	24.3	18.6	21.4	0.62
17	102	71.4	25.84	17	68	0.82
19	114	79.8	28.88	19	76	1
20.5	123	86.1	31.16	20.5	82	1.35
22	132	92.4	33.44	22	88	1.6
24	144	100.8	36.48	24	96	2
26	156	109.2	39.52	26	104	2.7
28	168	117.6	42.56	28	112	3.3
30	180	126	45.6	30	120	3.9
32	192	134.4	48.64	32	128	4.6
34	204	142.8	51.68	34	136	5.8
36	216	151.2	54.72	36	144	6.6
38	228	159.6	57.76	38	152	7.8
40	240	168	60.8	40	160	9.1
42	252	176.4	63.84	42	168	10.5
44	264	184.8	66.88	44	176	12.2
46	276	193.2	69.92	46	184	14
48	288	201.6	72.96	48	192	16
50	300	210	76	50	200	18
52	312	218.4	79.04	52	208	20
54	324	226.8	82.08	54	216	21
56	336	235.2	85.12	56	224	24
58	348	243.6	88.16	58	232	28
60	360	252	91.2	60	240	28
62	372	260.4	94.24	62	248	33
64	384	268.8	97.28	64	256	38
66	396	277.2	100.32	66	264	38
68	408	285.6	103.36	68	272	44
70	420	294	106.4	70	280	44
74	444	310.8	112.48	74	296	50
76	456	319.2	115.52	76	304	58
81	486	340.2	123.12	81	324	74
84	504	352.8	127.68	84	336	84
87	522	365.4	132.24	87	348	94
90	540	378	136.8	90	360	105
92	552	386.4	139.84	92	368	105
95	570	399	144.4	95	380	115
97	582	407.4	147.44	97	388	135
100	600	420	152	100	400	150
102	612	428.4	155.04	102	408	150



$A = 6d$
 $B = 4.2d$
 $C = 1.52d$
 $D = 1d$
 $P = 4d$

d = Nominal Chain Diameter
 P = Nominal Chain Pitch



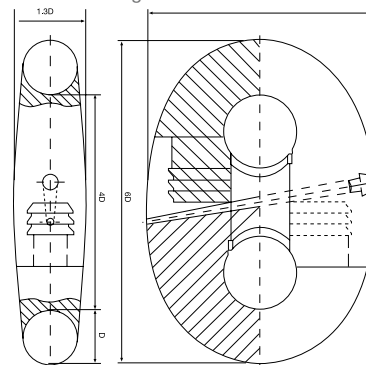
Features

- One of the longest lasting removable connections for chain.
- The design is type approved by ABS, DNV and LR.

Trident Thin Slimline Kenter shackles also available upon request.



Slim Line Kenter Joining Links



d = Nominal Chain Diameter



Franklin Offshore Australia Pty Ltd

Tel +61 8 9410 6000 • sales@franklinoffshore.com.au