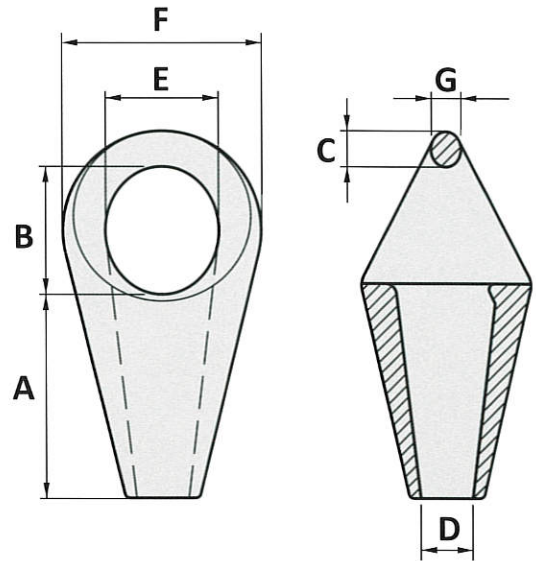


CR SOCKET

TYPE S04

Material : Cast steel
 Safety : 5 times
 Finish : Painted/galvanised
 Up to Type No. 519 standard galvanised
 Certificates on request : Material certificate 3.1
 Manufacturer certificate
 Certificate of Conformity
 NDT inspection certificate

CR sockets give the best possible connection between a chain- and a rope anchoring system. These sockets are included our non-rotating system (NRS-system) which prevents the tump for turning or slipping out of the cone and guaranty a high performance connection.



~ specification: 1 = Painted
 9 = Galvanised

| Art. No. | Type No. | Wire dia mm | Wire dia inch | WLL ton | MBL ton | A mm | B mm | C mm | D mm | E mm | F mm | G mm | Weight kg |
|----------|----------|-------------|---------------|---------|---------|------|------|------|------|------|------|------|-----------|
| 47005129 | 512 | 31-36 | 1¼"-1⅝" | 28 | 140 | 140 | 85 | 38 | 39 | 75 | 124 | 35 | 6.5 |
| 47005179 | 517 | 38-42 | 1½"-1⅝" | 32 | 160 | 160 | 110 | 42 | 44 | 92 | 130 | 38 | 8 |
| 47005199 | 519 | 43-48 | 1¾"-1⅝" | 40 | 200 | 188 | 128 | 50 | 51 | 110 | 180 | 45 | 17 |
| 4700522~ | 522 | 49-54 | 2"-2⅝" | 50 | 250 | 215 | 125 | 55 | 57 | 115 | 200 | 50 | 23 |
| 4700524~ | 524 | 55-60 | 2¼"-2⅝" | 60 | 300 | 230 | 145 | 65 | 63 | 135 | 230 | 57 | 33 |
| 4700526~ | 526 | 61-68 | 2½"-2⅝" | 80 | 400 | 250 | 160 | 75 | 73 | 160 | 265 | 65 | 50 |
| 4700527~ | 527 | 69-75 | 2¾"-2⅝" | 100 | 500 | 280 | 175 | 80 | 79 | 170 | 278 | 70 | 59 |
| 4700528~ | 528 | 76-80 | 3"-3⅝" | 120 | 600 | 315 | 210 | 85 | 86 | 184 | 300 | 75 | 74 |
| 4700529~ | 529 | 81-86 | 3¼"-3⅝" | 140 | 700 | 340 | 205 | 100 | 92 | 204 | 320 | 90 | 89 |
| 4700530~ | 530 | 87-93 | 3½"-3⅝" | 160 | 800 | 360 | 220 | 105 | 99 | 215 | 340 | 95 | 104 |
| 4700531~ | 531 | 94-102 | 3¾"-4" | 180 | 900 | 380 | 240 | 110 | 108 | 234 | 376 | 100 | 134 |
| 4700533~ | 533 | 108-115 | 4¼"-4½" | 200 | 1000 | 450 | 260 | 125 | 120 | 252 | 400 | 110 | 180 |
| 4700540~ | 540 | 122-130 | 4¾"-5" | 250 | 1250 | 517 | 293 | 140 | 140 | 275 | 460 | 125 | 310 |

Tolerance: ± 5%



GN ROPE FITTINGS
 Grofsmederij Nieuwkoop B.V. - The Netherlands

www.gnweb.com, sales@gnweb.com

Tel: +31(0) 172 579 303, Fax: +31(0) 172 571 073

