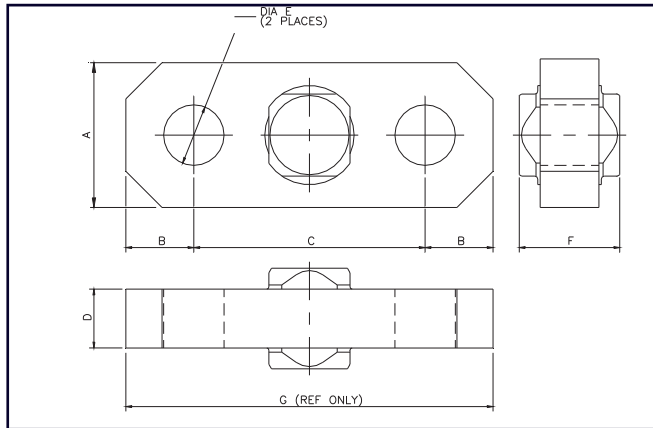


# LOAD INDICATORS



## Radio Telemetry Load Indicators uses:

- Mobile and Tower Cranes.
- Check Weighing.
- Tension Measurement.
- Construction Operations.
- Testing



Load Capacity (tonnes)	Link Weight (approx kg)	Shackle Crosby G2130	
		WLL (tonnes)	Size (in)
2	2.5	6.5	7/8
6.5	2.5	6.5	7/8
12	6.5	12.0	1 1/4
25	7.0	25.0	1 3/4
55	14.5	55.0	2 1/2
120	40.0	120.0	3 1/2

Load Capacity (tonnes)	Dimensions (mm)						
	A	B	C	D	ØE	F	G
2	100	47	166	34	28	74	260
6.5	100	47	166	34	28	74	260
12	100	58	176	40	37	80	292
25	125	75	220	55	53	95	370
55	150	108	254	85	73	125	470
120	220	160	320	115	98	155	640



## Features

- Light Weight aluminium body for ease of transportation and installation.
- Battery Life: Active – not less than 70hrs.
- Battery Type: Link – 2 x type AA batteries. Handheld – 4 x type AA. "Power on" system test and calibration check.
- Illuminated 15mm digits.
- Operating Frequency: 2.4 GHz.
- Proof Load: 200% working load limit (150% for 55T and above).
- Ultimate Load: 7 Times Working Load Limit.
- Ambient Temp: -10°C to +40°C.
- Accuracy: ± 1% of ACTUAL Reading.
- Radio: Built in compliance with: U.S.A: -FCC P14-TDK-BTISM. EURO: -CE 0700.
- Range: Not less than 100m under normal conditions.
- Link: Weatherproofed to IP65.
- Handheld: Weatherproofed to IP65.



- Quick and Simple Load Checking, Testing, Measurement & Weighing.
- Totally Portable Operation.
- Standard Range 2 to 120 Tonnes.

